

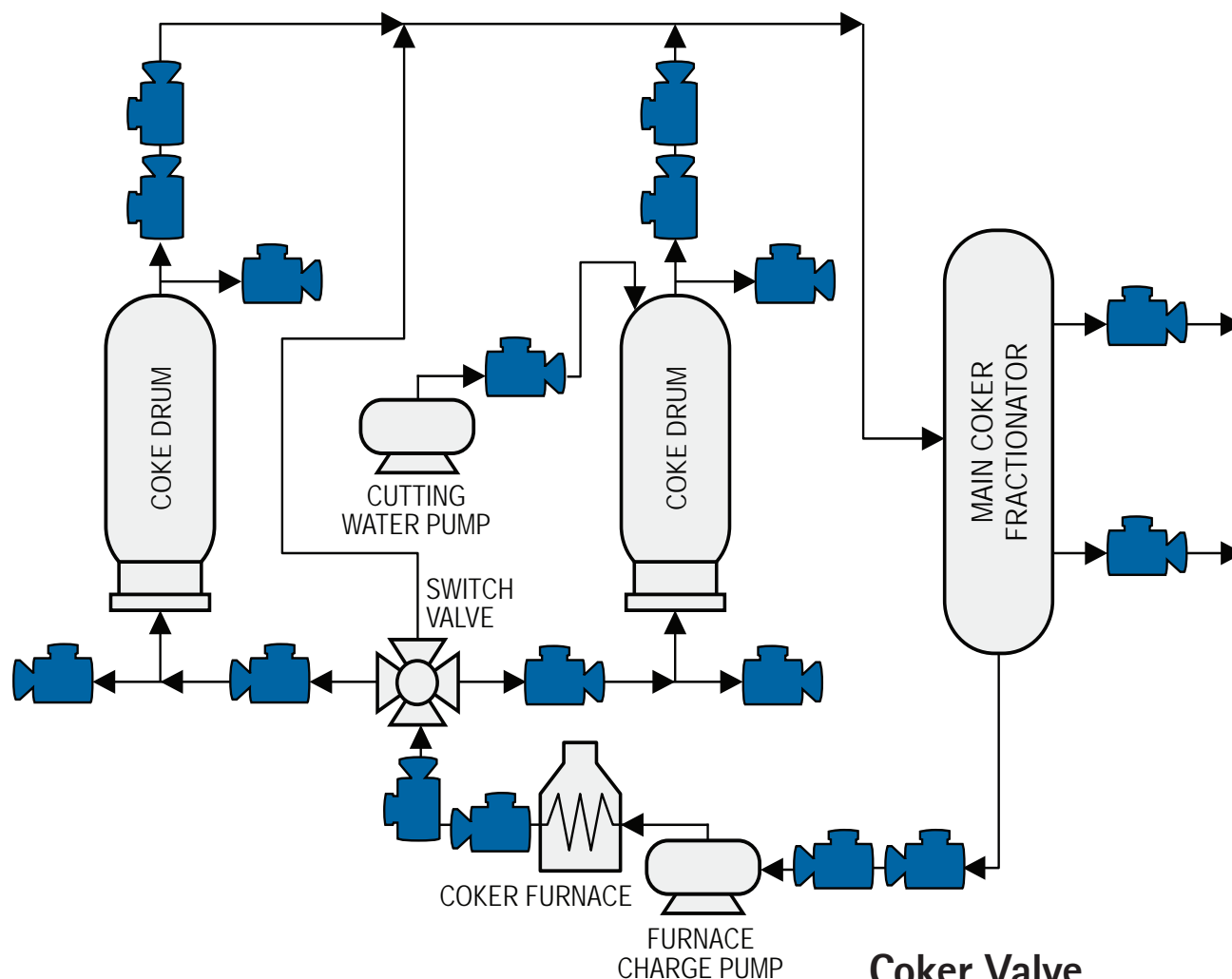


Isolation Valves for Coking Service

Steam Purged (SP) Valves • Severe Service • High Temperature • Multi-Shutdown Performance

Refinery Coking

The delayed coker process is a batch process, one of the most hostile environments in the refinery – due to the abrasive and erosive properties of the coke by-product – and crucial to a refinery's profitability. Valves are cycled frequently and failure can lead to a complete shutdown of a unit, resulting in large process and financial costs. Optimizing valve life-cycle is critical to operational efficiency.



Improve Up-Time

Avoid unscheduled downtime and lost production.

- Longevity – 10-12 Years Between Major Maintenance Requirements
- Reliability – Tight Shut-Off with Preventative Maintenance Continuous Purge Systems
- Simple Design – Positive Isolation Without Build-Up
- Long Operating Life
- Low Cost of Ownership

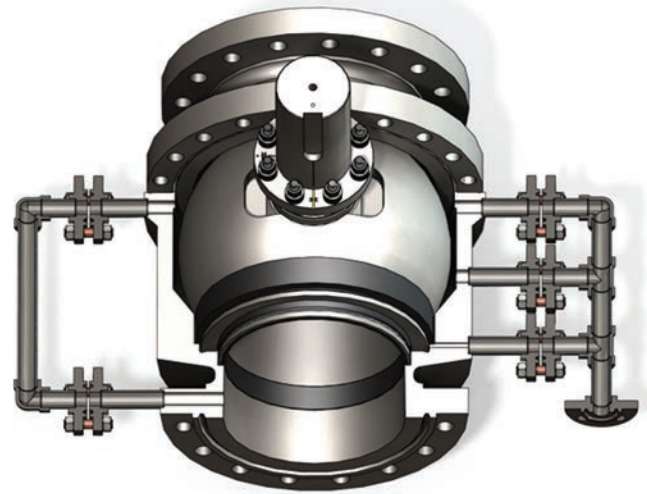
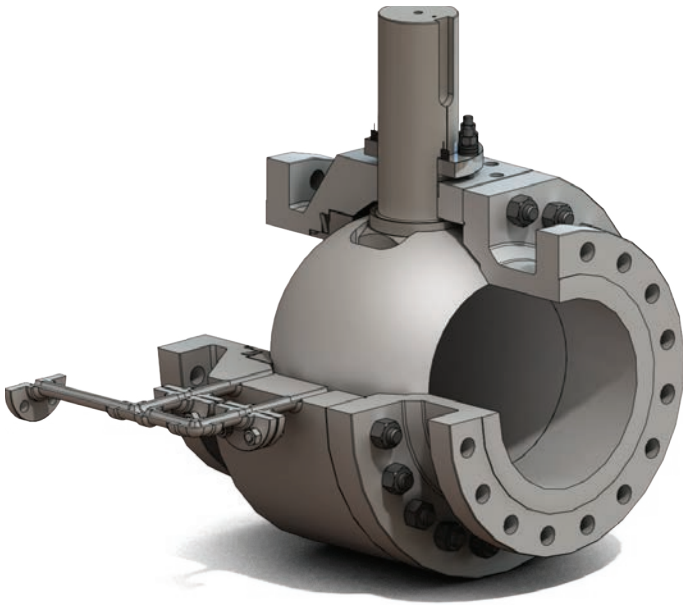
Coker Valve Applications:

- Switch Valve Isolation
- Drum Overhead Vapor Line
- Feed & Withdrawal Lines
- Drum Blowdown
- Heater Isolation
- Cutting Water Isolation
- Safety Relief Valve Isolation Lines
- Drain & Vent Valves

Isolation Valves for Coking Service

SIZE: 1" – 36"
CLASS: ANSI 300 – 1500
STANDARD MATERIALS
FOR SP VALVES: A217 Gr. C12, A217 Gr. C5
FOR HEATER ISOLATION VALVES: A217 Gr. C12,
Incoloy™ 800 H, 317SS

SEALING: Metal-Metal, ANSI V, FC 70.2
Class VI and TSO
STEM PACKING: Belleville-Loaded Grafoil,
ISO 15848 Rate "B"
PURGE CONNECTIONS: Single Customer Connection,
Continuous, Per Application &
Specification



Features:

- Mechanical (Belleville Spring) Ball Loading – NOT a Bellows Requiring Regular Replacement
- Fire Safe Per API 607
- SINGLE Steam Connection Point
- Separate Ball and Stem to Prevent Packing Leaks Through Daily Temperature Cycles
- ANSI VI Shutoff
- Low Steam Purge Consumption
- RAM™ Hard-faced Sealing Surfaces
- Full Bore Design
- Bi-directional Design Available for Special Services
- Live-loaded Stem Packing
- Fewer Parts – Only Eight Mechanical Components in Valve Design
- Full Port
- Four-Year Valve Material and Workmanship Guarantee
- Integral Metal Seat
- Blow-out Proof Stem

Customer Benefits:

- Reliability Through Turn-Arounds – 15+ Years Service
- Process Improvement – DECREASE Drum Back-Pressure in Overhead Lines
- Low Maintenance
- Low ΔP
- Wear & Erosion-Resistant Design
- Low Emissions
- No Expensive Bellows Seal to Replace Each Shutdown
- Valve Will Seal Tight Without Steam for Safety in Emergencies
- Operates in all Thermal Conditions, Thermal Swings
- Service and Support Centers Worldwide
- Worldwide References Available

Additional Options; per customer specification:

- Automation – Electric, Hydraulic, Pneumatic
- Interlock

Refinery Coker Valves



ValvTechnologies, Inc. is a global leader in the design and manufacturing of flow control devices. Founded in 1987 and headquartered in Houston, Texas, ValvTechnologies remains focused on helping customers meet their daily production and process challenges safely and efficiently.

Having built a global reputation for superior quality and dependability across every industry served with products designed to fulfill the requirements of standard applications to the most sophisticated, severe-service processes, ValvTechnologies meets the demands for total flow control solutions, whether one valve at a time, or system-wide.

Bringing together the best people and the latest in technological design and manufacturing processes, ValvTechnologies has created an atmosphere where quality and dependability are built into every product, start to finish.

Worldwide Office Locations

Headquarters & Manufacturing

ValvTechnologies, Inc.
5904 Bingle Road
Houston, Texas 77092 U.S.A.
Telephone +1 713 860 0400
Fax +1 713 860 0499
info@valv.com

To locate a distributor or satellite office near you, visit us online at: www.valv.com

To contact sales anywhere in the world, email sales@valv.com

Peru

Lima
peru@valv.com

Brazil

São Paulo
brazil@valv.com

United Kingdom

Stockton-on-Tees
europa@valv.com

Australia

Brisbane
australia@valv.com

China

Shanghai
china@valv.com

China

Chengdu
china@valv.com

China

Beijing
china@valv.com

Eastern Europe

Warsaw
poland@valv.com

Middle East

Dubai
middle.east@valv.com

India

Chennai
india@valv.com

Japan/Korea

Seoul
korea@valv.com

Spain

Madrid
spain@valv.com